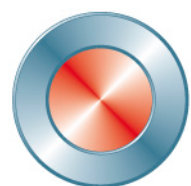
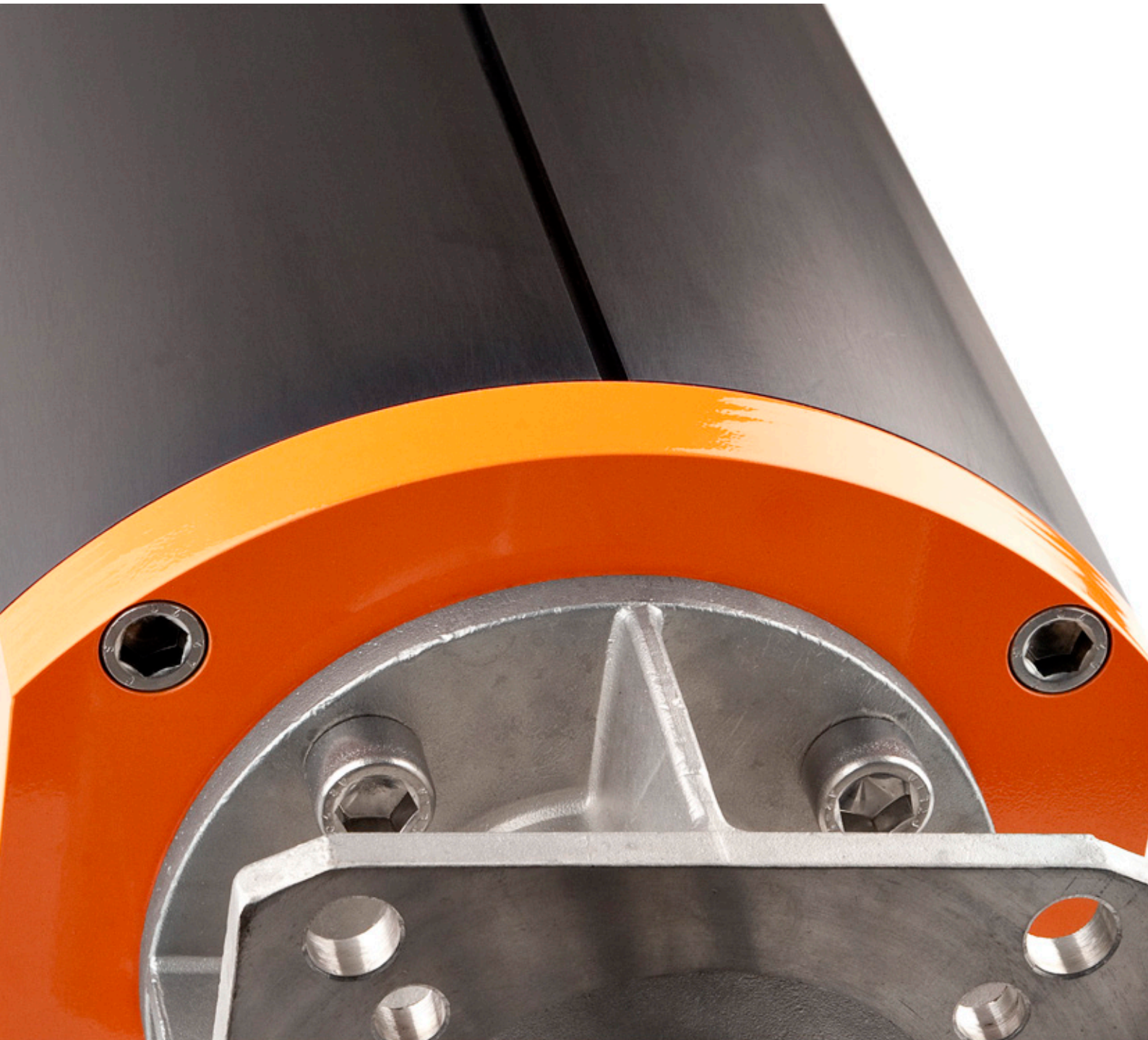


Single-acting pneumatic cylinder type ECS



Stafsjö
SINCE 1666

Single-acting pneumatic cylinder type ECS

Stafsjö's single-acting pneumatic cylinder type ECS is designed to be reliable during tough operating conditions. It is supplied with a long barrel in anodized aluminium and powder coated aluminium covers in order to resist corrosive environments. It is available with spring return to closed (ECS-C) or to opened position (ECS-O).

The EC cylinder is always supplied with a valve adapter and a gate clevis set for Stafsjö's knife gate valves. The Namur interface according to VDI/VDE 3845 makes it easy to install the solenoid valve directly onto the cylinder. The cylinder can be supplied with stroke limitation, pre-installed magnetic limit switches and 3/2-way solenoid valve upon delivery. The supply pressure for the cylinder should be in between 5-10 bar and the air should be dry or oil mist.

Please contact Stafsjö or your local representative for advice and further information.



Attachment details for Stafsjö's knife gate valves

The EC cylinder is always supplied with a valve adapter and a gate clevis set for perfect match to Stafsjö's different knife gate valves.



Namur interface for solenoid valves

Solenoid valves can easily be installed directly onto the cylinder according to the Namur interface VDI/VDE 3845. In this way the solenoid valve-cylinder unit becomes really compact.

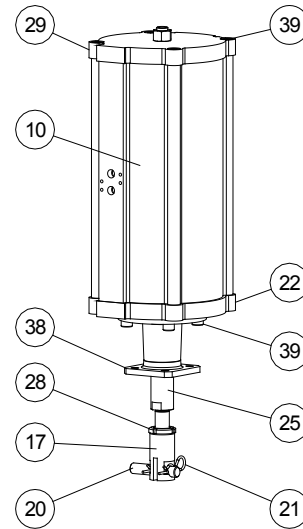


Magnetic indication is optional

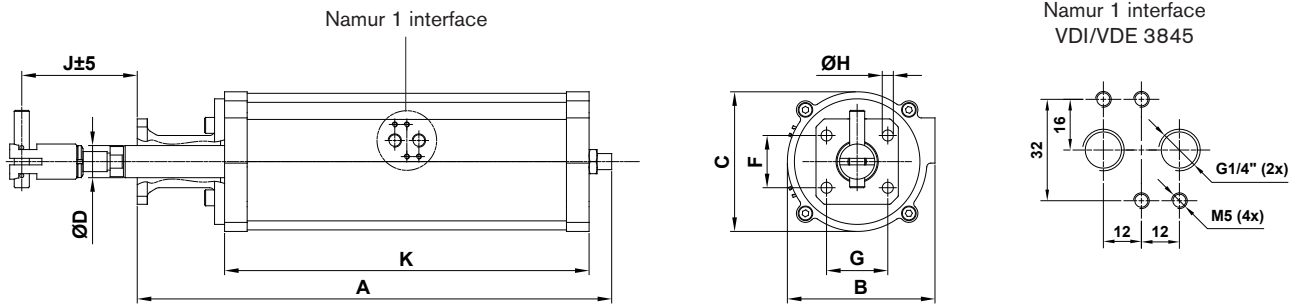
The cylinder can on request be supplied with magnetic piston and pre-installed magnetic limit switches in the barrel's T groove.

Part list ECS 125 - ECS 160

Pos.	Detail	Material
10	Cylinder barrel	Anodized aluminium (Al6063)
17	Gate clevis	Stainless steel (EN 1.4305)
20	Clevis pin	Stainless steel (EN 1.4305)
21	Locking pins	Stainless steel (EN 1.4305)
22	Lower cover	Powder coated aluminium (Al6082)
25	Piston rod	Steel (C45E), phosphated and chromed with molykote coating in the ends
28	Locking nut	Stainless steel (EN 1.4305)
29	Top cover	Powder coated aluminium (Al6082)
38	Valve adapter	Powder coated aluminium (EN1706-43100-T6) or stainless steel (EN 1.4308)
39	Hex socket screws	Stainless steel (A2)



Drawing ECS 125 - ECS 160



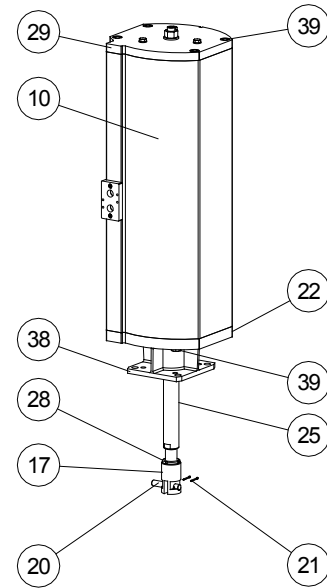
Main dimensions ECS 125 - ECS 160

Dimensions (mm)											
ECS type	Size	Stroke length	A	B	C	D	F	G	H	J	K
ECS-C	125	90	473	147	139	32	52	61	11	115	363
ECS-C	160	115	493	188	180	32	52	61	11	140	387
ECS-C	160	140	593	188	180	32	52	61	11	165	483

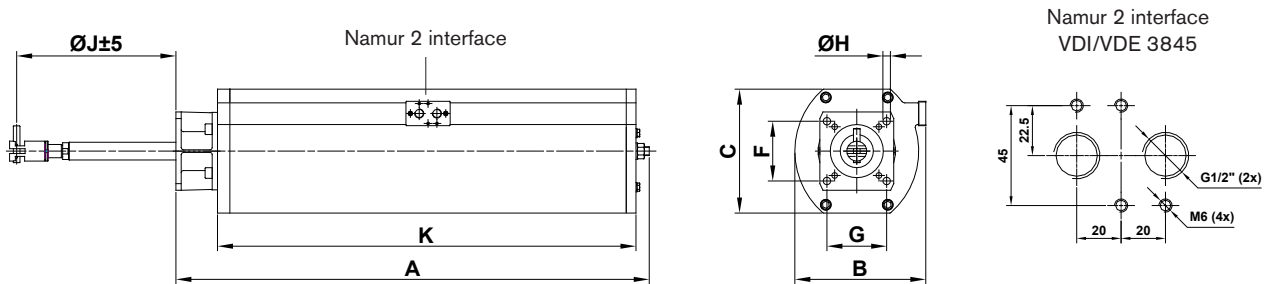
Main dimensions are only for information. Contact Stafsjö for certified drawings.

Part list ECS 200 - ECS 250

Pos.	Detail	Material
10	Cylinder barrel	Anodized aluminium (Al6063)
17	Gate clevis	Stainless steel (EN 1.4305)
20	Clevis pin	Stainless steel (EN 1.4305)
21	Locking pins	Stainless steel (EN 1.4305)
22	Lower cover	Powder coated aluminium (Al6082)
25	Piston rod	Steel (C45E), phosphated and chromed with molykote coating in the ends
28	Locking nut	Stainless steel (EN 1.4305)
29	Top cover	Powder coated aluminium (Al6082)
38	Valve adapter	Powder coated aluminium (EN1706-43100-T6) or stainless steel (EN 1.4308)
39	Hex socket screws	Stainless steel (A2)



Drawing ECS 200 - ECS 250



Main dimensions ECS 200 - ECS 250

Dimensions (mm)											
ECS type	Size	Stroke length	A	B	C	D	F	G	H	J	K
ECS	200	165	675	245	236	40	52	61	11	190	559
ECS	200	215	854	245	236	40	100	110	13	255	743
ECS	250	270	920	296	280	40	100	110	13	310	796
ECS	250	320	1070	296	280	40	100	110	13	360	946

Main dimensions are only for information. Contact Stafsjö for certified drawings.

Further information is available on www.stafsjo.com



Globally active. Locally represented.

AFRICA South Africa: Valve & Automation (Pty) Ltd, **ASIA** China: EBRO ARMATUREN (BEIJING) CO., LTD, India: Ebro Armaturen India Pvt. Ltd, Indonesia: Contromatic Prima Mandiri PT, Japan: SKC Co. Ltd, Malaysia: Precision Control SdnBnd, Philippines: EBRO ARMATUREN (PHILIPPINES) INC., Thailand: EBRO VALVES (Trading) Co. Ltd., Vietnam: EBRO VALVES (Thailand) Co., Ltd, **AUS-TRALIA/OCEANIA** Australia: EBRO ARMATUREN Pacific PTY. LTD, New Zealand: H.J.Asmuss&Co.Ltd **EUROPE** Austria: EBRO ARMATUREN GmbH, Belgium: V.C.T. - Valve & Connector Technology n.v., Denmark: Valtor Industri A/S, Finland: Tecalemit Flow Oy, France: EBRO ARMATUREN, Germany: EBRO ARMATUREN Gebr. Bröer GmbH, Great Britain: EBRO Valves Ltd, Hungary: EBRO ARMATUREN Kft, Ireland: ESI Technologies Ltd., Iceland: Hédinn HF, Italy: EBRO VALVOLE SRL, The Netherlands: EBRO VALVES B.V., Norway: BAGGES AS, Poland: EBRO ARMATUREN GmbH, Portugal: AxFlow Comércio de Aquipamentos LDA, Russia: LesBumMash Ltd, Roitech and Sevkom, Spain: EBRO ARMATUREN ESPAÑA, S.L., Switzerland: EBRO Armaturen Est. & Co. KG, Sweden: Stafsjö Valves AB and Ahlsell Sverige AB, Turkey: EBRO ARMATUREN Otomasyon Sistemleri San ve Tic Ltd. Sti, Ukraine: EBRO ARMATUREN GmbH Representative office Kiev **NORTH AMERICA** Canada: Armour Valve Ltd, USA: EBRO ARMATUREN USA Inc. **SOUTH AMERICA** Argentina: ESCO ARGENTINA SA, Brazil: ELAN Equipamentos Industriais LTDA, Chile: Ebro Stafsjö Valves Chile Ltd For other countries, please contact us directly.

