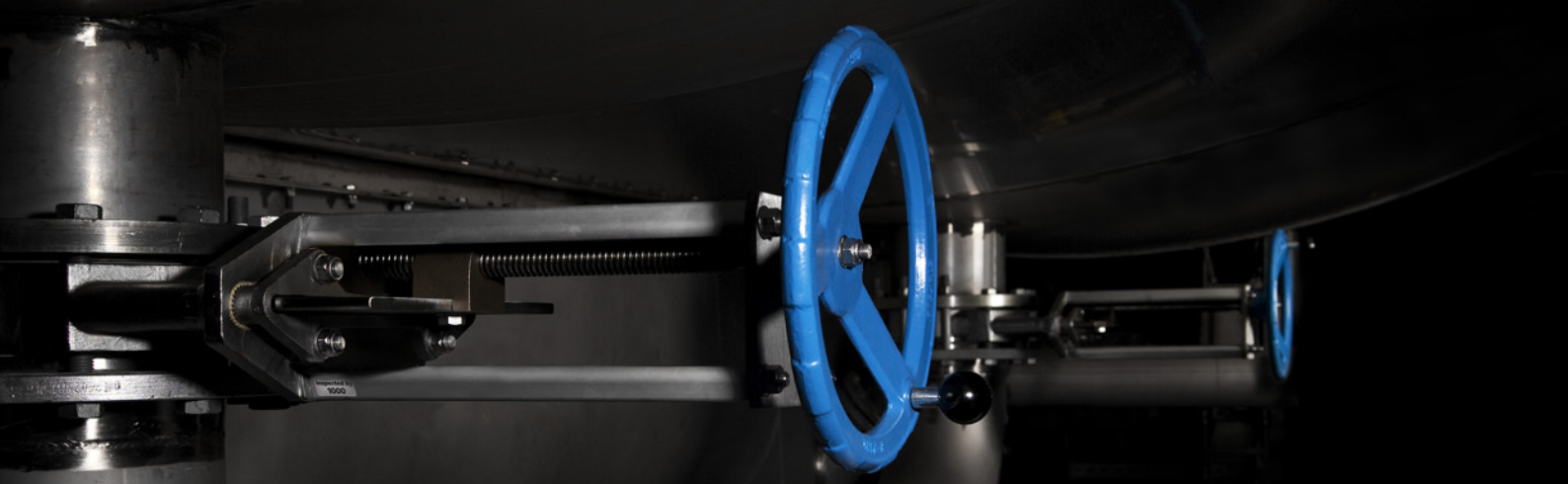


Stafsjö
SINCE 1666

WB14E



First in knife gate solutions



Optimize your process with the high performance WB14E valve

Stafsjö's WB14E knife gate valve is a high performance shut-off valve with superior flow characteristics, offering bi-directional zero leakage shut-off up to 150 psi/10 bar up to DN 600 (24"). It is suitable for media such as pulp stock, chemicals, sludge, bio mass, slurry and water. The fully lugged body design is suitable for dead-end services.

The WB14E is supplied with stainless steel wetted parts including the fully lugged valve body, highly polished gate and gland. Up to DN 300 (12") it holds a one piece valve body and from DN 350 (14") it features a rigid two piece version. Stafsjö's gland box system with TwinPack braids and extra PTFE scrapers ensures that no media reaches the surrounding environment.

Stafsjö's fully modular concept is also applied on this WB14E which makes it easy to equip with manual as well as automatic actuators and related automation accessories. The valve is also available with mechanical lock out.

The WB14E meets the requirements of MSS SP-81, and is designed, manufactured, inspected and tested according to the European Pressure Equipment Directive (PED 97/23/EC) category I and II module A1. The valve is CE marked when it is applicable.

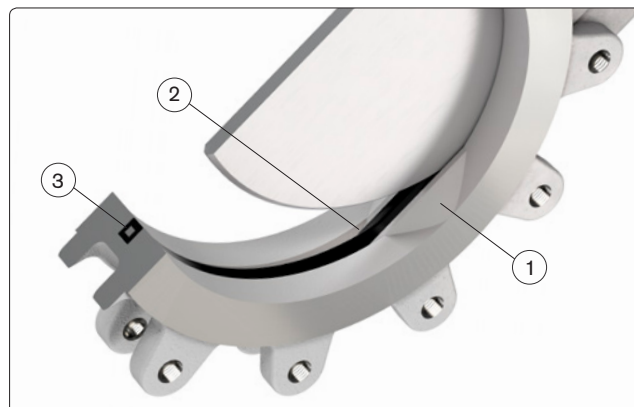


Bi-directional zero leakage shut-off

Gate guides (1) support the gate through the entire range of travel, eliminating both lateral movement and deflection. The perimeter resilient seat provides tight shut-off in both directions.

At the lower end of the gate guides, the relief areas (2) promote a self-cleaning, flushing action as the gate moves into the final stage of closure and the cavity free seat ensures that no media gets packed into the bottom of the valve.

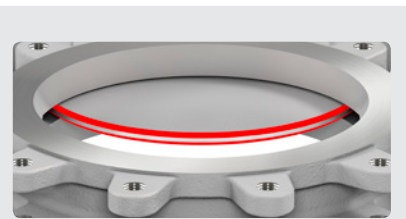
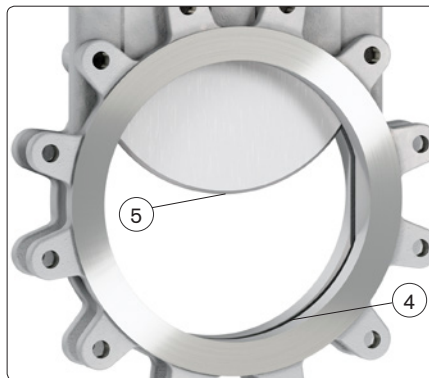
The seat is reinforced with a stainless steel core (3) to enhance durability.



FIRST IN KNIFE GATE SOLUTIONS

Full bore with superior flow characteristics

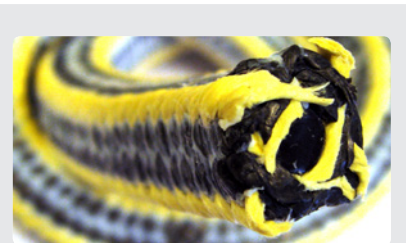
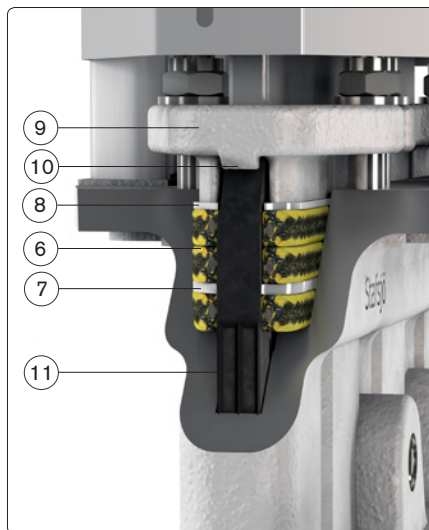
The cavity free bore (4) prevent any build up of media during operation. The highly polished gate (5) and its edge profile make it easy for the gate to cut through the media.



The dual bevel edge and reduced gate profile prevents media from wedging between the gate and body as the valve closes.

First-rate external sealing

Stafsjö's TwinPack braids (6) perform the main external sealing operation in the system. The additional PTFE scraper (7) in between the braids and the optional top scraper (8) further reinforce the packings scraping function. The gland (9) and gland bolts ensure even distribution of the gland force as the nuts are tightened. From DN 350 (14") the seat is locked between the valve body halves. The unique flexible profile (11) on the outside surface of the seat up to DN 300 (12") energizes sealing, reducing friction and providing longer cycle life.



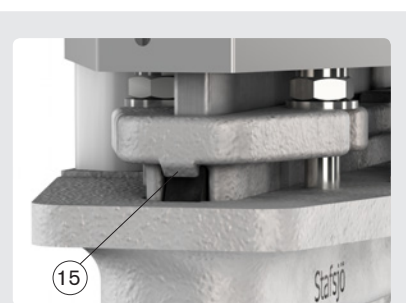
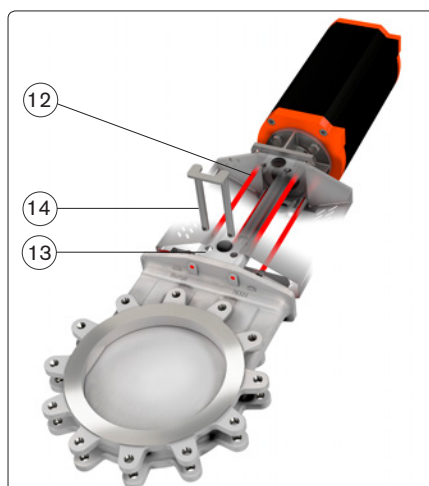
The TwinPack packing is strong and flexible. It is made up by an elastic silicon rubber core surrounded by interlocked graphite filled PTFE fibres with additional strong interlocked aramide fibre reinforced corners (yellow). The TwinPack braids resist pH 2-13 and temperatures -60 °C/-76 °F up to 260 °C/ 500 °F.

High strength top works

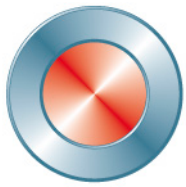
Smooth cycling and a tight shut-off independent of valve position is achieved by the high strength top works that provide an essential alignment for the gate. It utilizes stainless steel tie rods (12) encapsulated inside the structural beams (13).

The WB14E valve can easily be supplied with different actuators and accessories such as limit switches, a junction box and mechanical lock out (14).

Actuator options include hand wheel, chain wheel, bevel gear, ratchet wrench, pneumatic actuators (single- and double-acting), electric motors and hydraulic actuators.



The linear locks (15) on the gland up to DN 300 (12") securely hold the seat in position as the gate strokes. From DN 350 (14") the seat is locked between the valve body halves.



Stafsjö
SINCE 1666

www.stafsjo.com



Stafsjö Valves AB
SE-618 95 Stavsjö, Sweden

+46 11 39 31 00 | info@stafsjo.se
www.stafsjo.com